

# WALLPOD:EV

EV CHARGE.ONLINE

Type 2, Mode 3 Charging Socket

Ethernet Communication

3.6kW Or 7.2kW

# ROLEC

EV

MANUFACTURED IN THE UK



The WallPod:EV Charge.Online charging unit has been designed as a simple to use, simple to manage, EV charger offering a variety of innovative features for both the EV driver and the charge point network operator.

This modern, back office connected, EV charging unit allows every EV driver to pull up to the charge point and, using their mobile phone & the charging app, simply pay on the spot for its use.

WallPod:EV Charge.Online is ideal for secure commercial locations such as offices, factories, depots, hotels, sports venues, etc.



Unit shown: WALLPOD:EV  
EV CHARGE.ONLINE  
Type 2, Mode 3 Charging Socket

## PRODUCT FEATURES

- IEC 61851-1 Mode 3 fast charging
- IEC 62196 (Type 2) charging socket c/w security hatchlock
- Charging speeds - 3.6kW (16A) & 7.2kW (32A)
- Built-in overload and fault current protection (RCBO)
- Built-in LED charging status indicator & MID compliant kWh meter
- Easy to install and maintain
- Full operating instructions A5 sign
- EV driver Pay-to-Charge facility using their mobile phone
- OLEV Grant Fundable under the Workplace Charging Scheme
- Certificated by the BSI as safe to use in the domestic environment
- IP65 Weatherproof & UV Stabilised
- Corrosion resistant, fire retardant & impact resistant design
- CE certified

Connected  
by Vodafone



EV CHARGE.ONLINE  
**PAY-TO-CHARGE**  
PAYMENT PARTNERS/ASSOCIATES

worldpay



Ethernet  
Connectivity



Grant  
Fundable



EV Driver  
Multi Device Access



Colour Options  
Available



CE  
Certified

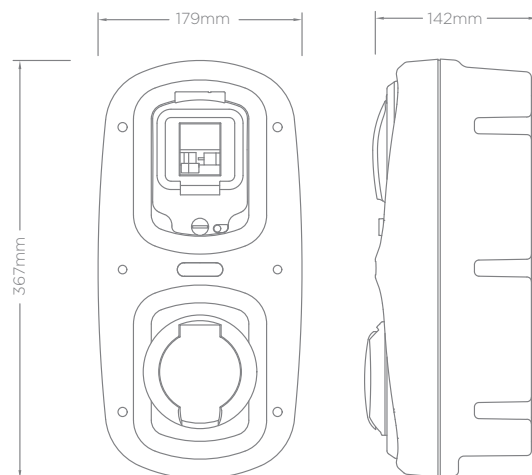


Flame  
Retardant

# SPECIFICATIONS

## PHYSICAL

|                              |   |
|------------------------------|---|
| Dimensions                   | 179mm x 367mm x 142mm (W x H x D)   |
| Standard Base Colour         | Warm White (Other colours available upon request)   |
| Standard Pod Colour          | Green (Other colours available upon request)  |
| Unit Material                | Polycarbonate (303 EP-22)   |
| Operating Temperature        | -30°C to +50°C  |
| Certifications & Compliances | BSI Certified - BS EN 60335-1<br>Wiring Regulations - BS 7671 (18th Edition)<br>IET EV Regulations, Glow Wire Testing - IEC 60695-2-13<br>EMC Compliance - EN 61000-6-3:2007, EN 61000-6-2:2005<br>Safety Compliance - EN 60950-1:2006, EN 60950-22:2006,<br>Low Voltage Directive (LVD) 2014/35/EU<br>Environmental Protection -<br>IP65 (Category 1) Weatherproof BS EN 60529,<br>UL94 Flame Rating at V2 for 1.5mm and 3.0mm |



## ELECTRICAL

|                                     |   |          |
|-------------------------------------|---|----------|
| Product Code                        | EVCO2017  | EVCO2027 |
| Charging Socket                     | IEC 62196 (Type 2)                                  |          |
| Rated Output                        | 3.6kW   | 7.2kW    |
| Rated Current                       | 16A   | 32A      |
| Charge Protocol                     | Mode 3  |          |
| EV Charging Compliance              | EN 61851-1:2001, EN 61851-21:2002, EN 61851-22:2002 |          |
| Input Voltage                       | 230V AC/50Hz (Single Phase)                         |          |
| Overload & Fault Current Protection | Built-in 30mA Type A RCBO & 6mA DC Sensitive Device |          |
|                                     | 20A   | 40A      |
| Incoming Cable Terminals            | 16mm earth  |          |
| Wired Communications                | Ethernet Connection                                 |          |



## EV CHARGE.ONLINE

- Built-in RS232 ethernet converter/connection
- Ethernet communication and Back Office connectivity
- UltraSmart Back Office management

Connected by Vodafone

EV CHARGE.ONLINE PARTNERS/ASSOCIATES

## OPTIONS & ACCESSORIES

- Lockable door to switchgear
- Corporate branding (colours, logo badge, etc.)
- Load Manager system (electrical distribution management)
- EV charging cables (Type 1 to Type 2 or Type 2 to Type 2)



Images are for marketing purposes only and are not contractual © 2018



Head office contact:  
t: +44 (0) 1205 724754  
f: +44 (0) 1205 724876  
rolec@rolecserv.co.uk

Rolec Services Ltd  
Ralphs Lane, Frampton West  
Boston, Lincolnshire  
UK. PE20 1QU

EVWPCOED-02  
@RolecEV  
www.rolecserv.com